

# Installation instructions

for contractors

**VIESSMANN**

## Room temperature sensor

For Vitotrol 200, 300-A and 300-B

Part no. 7438 537

---

### Safety instructions



**Please follow these safety instructions closely to prevent accidents and material losses.**

Installation, initial start-up, inspection, maintenance and repairs must only be carried out by a competent person (heating engineer/installation contractor).

Before working on the equipment/heating system, isolate the power supply (e.g. by removing a separate mains fuse or by means of a mains isolator) and safeguard against unauthorised reconnection.

When using gas as fuel, also close the main gas shut-off valve and safeguard against unauthorised reopening.

Repairing components which fulfil a safety function can compromise the safe operation of your heating system. For replacements, use only original spare parts supplied or approved by Viessmann.

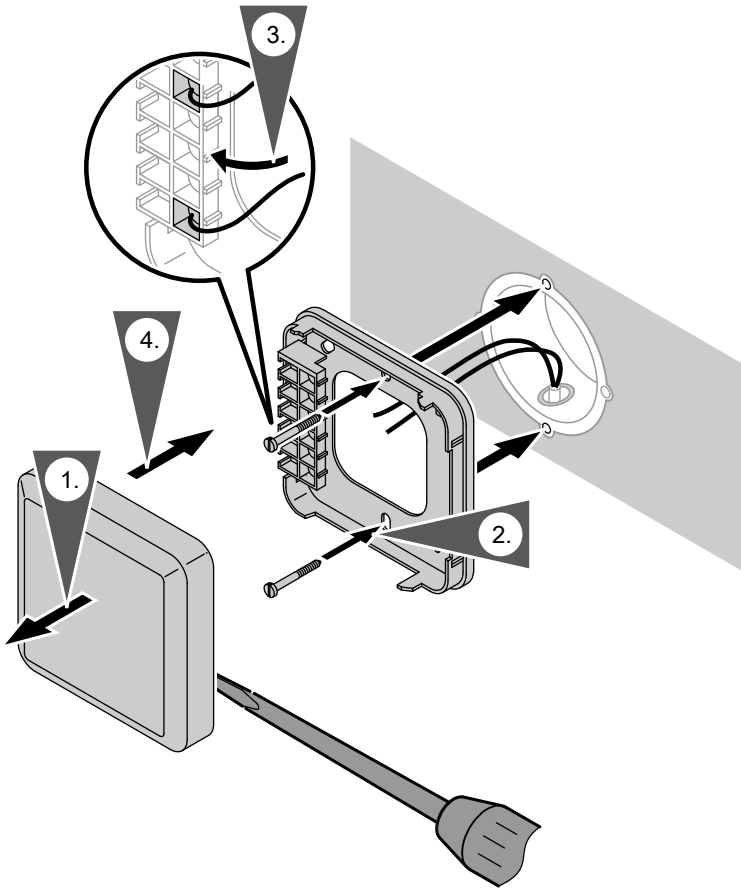
### Installation information

#### Installation location

- On an internal wall in the main living room, approx. 1.5 m above the floor
- Not near windows or doors
- Not above radiators
- Not near heat sources (direct sunlight, fireplace, TV set, etc.)
- Lead length between room temperature sensor and Vitotrol max. 30 m.

Do not install additional control devices in this room. If the radiators are equipped with thermostatic valves, these must always be fully opened. Use a protective enclosure (accessories) in rooms with increased humidity. Do not use the room temperature sensor in conjunction with underfloor heating.

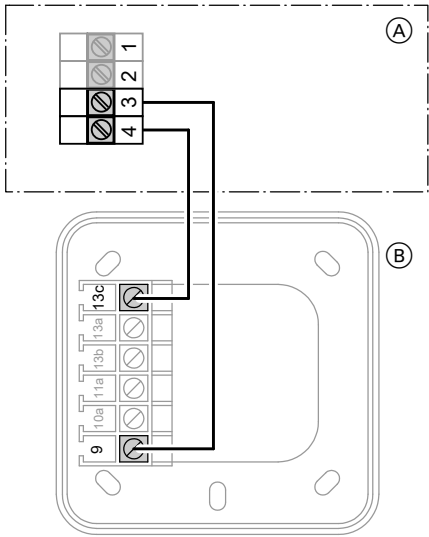
## Installation



When drilling, watch out for hidden cables.

Never route the lead to the room temperature sensor immediately next to 230/400V cables.

## Connection to Vitotrol



2-core cable with a cross-section of at least 1.5 mm<sup>2</sup>

- (A) Vitotrol
- (B) Room temperature sensor

## Enabling the room temperature sensor



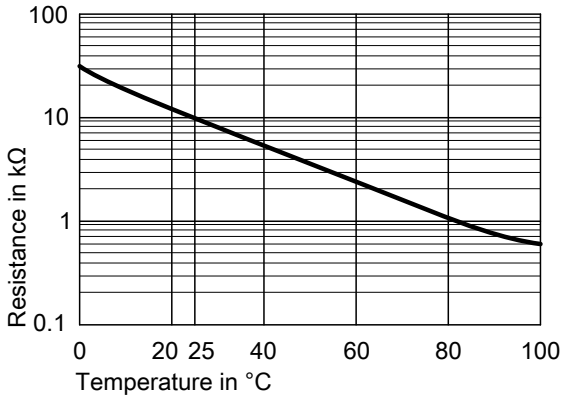
Installation and service instructions for the relevant Vitotrol

## Specification

Protection class	III
IP rating	IP 53
Sensor type	NTC 10 k $\Omega$ , at 25 °C
Permissible ambient temperature	
■ Operation	-20 to +90 °C
■ Storage and transport	-20 to +70 °C

## Specification (cont.)

### Resistance curve of the sensor



Measure the resistance between terminals 9 and 13c.

Viessmann Werke GmbH & Co. KG  
D-35107 Allendorf  
Telephone: +49 6452 70-0  
Fax: +49 6452 70-2780  
[www.viessmann.com](http://www.viessmann.com)

Viessmann Limited  
Hortonwood 30, Telford  
Shropshire, TF1 7YP, GB  
Telephone: +44 1952 675000  
Fax: +44 1952 675040  
E-mail: [info-uk@viessmann.com](mailto:info-uk@viessmann.com)

5784 377 GB Subject to technical modifications.