

1

Before You Start

- In addition to the items supplied you will need the following materials;
 - Wall fixing and screws (suitable for securing 25mm battens)
 - 25mm countersunk wood screws
 - 15mm countersunk wood screws
 - 35mm countersunk wood screws (only if fitting side and end panel)
 - Length of 38mm x 25mm batten (approx 3.3m if fitting side and end panel or 2.3m if fitting front panel only)
- When you are ready to start, make sure you have the right tools to hand.
- These bath panels have adjustable plinths so that they may be fitted to most height of bath.
- Panel should be sealed on all faces and edge before fitting.

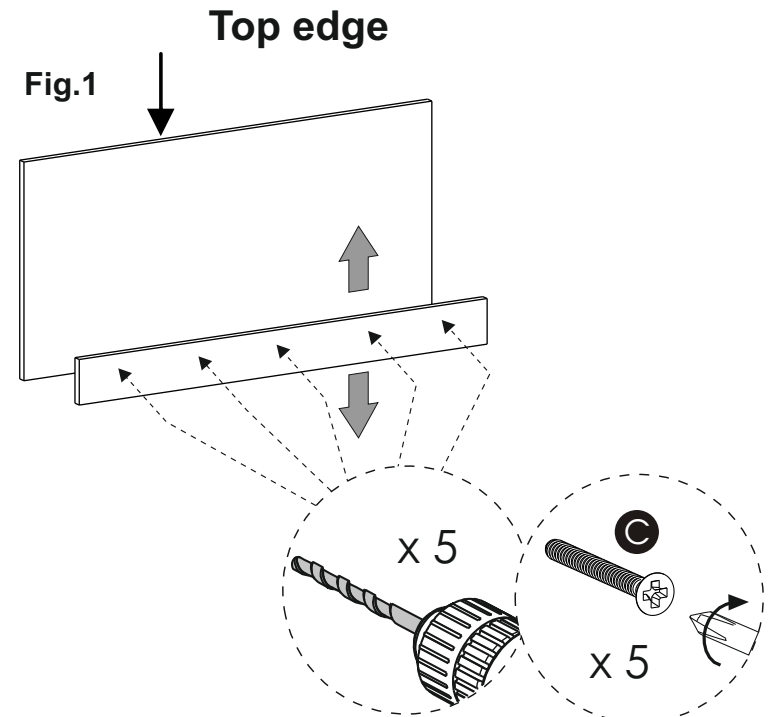
Pre Fitting The Panel

Measure from the floor to the underside of the bath rim and attach the plinth using the wood screws to the back of the bottom of the panel to match this height (Fig. 1).

If necessary, trim the lower edge of the plinth to compensate for any unevenness of the floor.

It may be necessary to trim the panel fit around skirting board or pipes; if so finish the cut surfaces with two or more coats of varnish to seal them from moisture.

The length may be adjusted preferably at the wall end to conceal the cut edge, again seal with varnish





2

Installing front panel only

Once the panel has been correctly sized, fix a softwood batten (38mm x 25mm) to the floor. The batten should be the length of the side panel and be inset from the bath edge by 19mm as shown (Fig 2).

At both ends of the bath, fix a 300mm long batten vertically to the wall. The batten should be inset from the bath edge by 16mm as shown (Fig 3).

Put the panel in place and adjust batten positions if necessary, so that the panel fits neatly under the rim of the bath. Drill 3 holes evenly spaced along the bottom edge of the plinth, 12mm from the lower edge, and 2 holes at each end of the panel 12mm from the edge, making sure that they align with the batten. Secure the panel to the battens with 25mm wood screws.(Fig 4)

Fig. 2

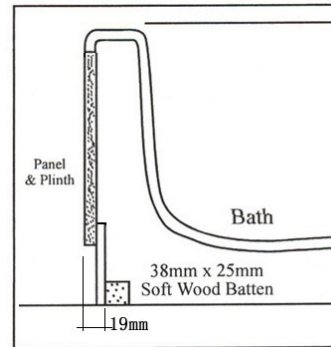


Fig. 3

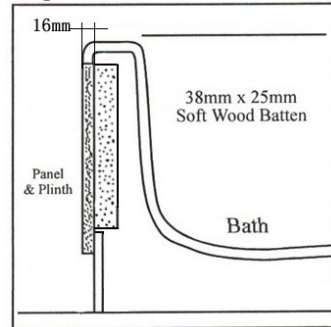


Fig. 4

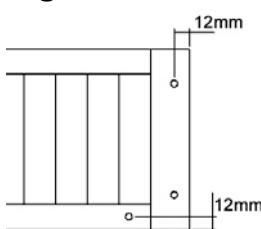


Fig. 3

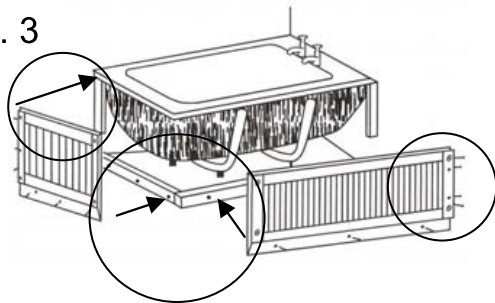


Fig. 4

Fig. 2

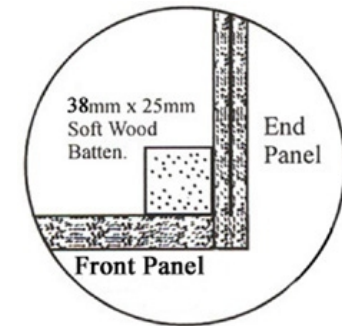
3

Installing front and end panel

Fix the front panel as described above, but secure to the wall at one end only. Note that it will be necessary to cut back the floor batten and plinth slightly at the “open” end to allow for the end panel plinth to be fitted.

Position a batten vertically on the rear edge of the front panel where it will meet the end panel. The batten should be inset 16mm from the panel end, and secured using 35mm wood screws. Fit a softwood batten to the floor and wall as described above, and secure the end panel. (Fig.5)

Fig. 5



Care & Use

- Wipe clean with a soft damp cloth. Never use scourers, abrasives or chemical cleaners.
- Keep the panel dry.
- Recommend: Seal the top of the bath panel with silicone.