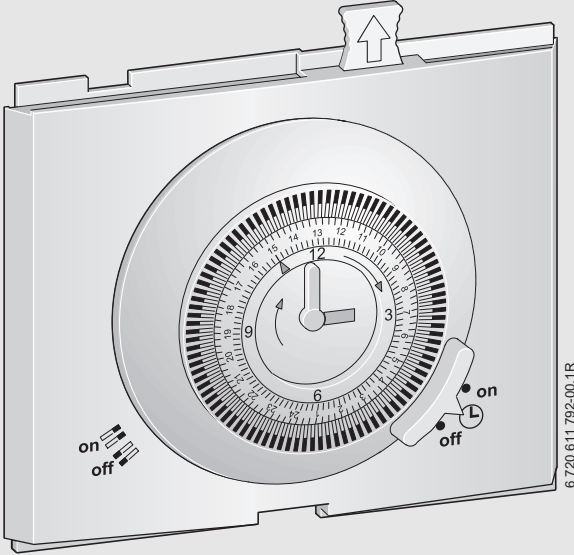


**7716 192 036 24 Hour**



# MT 10



8 716 106 641 GB (04.09) Gm

## Safety Instructions

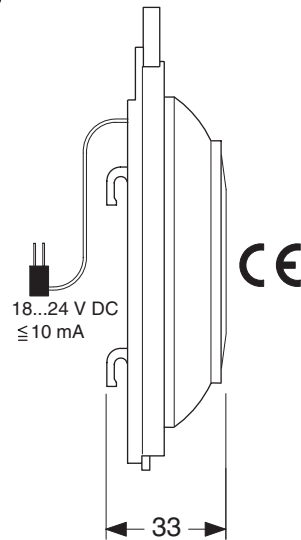
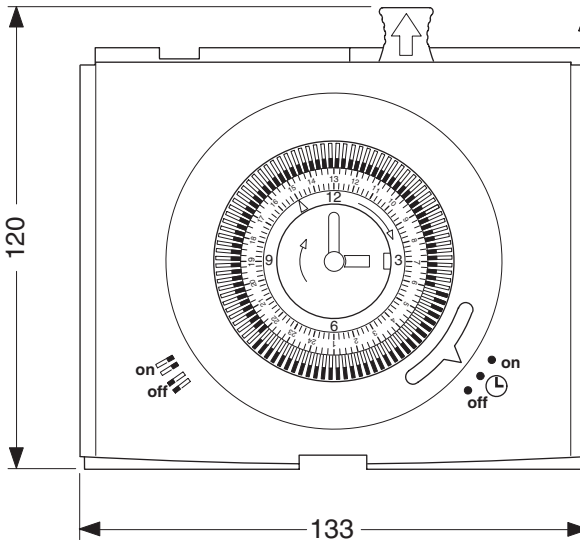
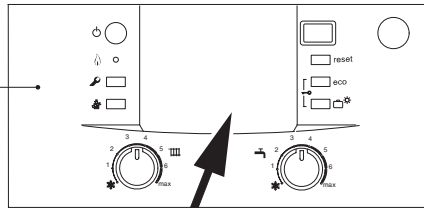
- ▶ These instructions must be observed to ensure proper functioning of the timer.
- ▶ The timer should only be fitted by an approved installer.
- ▶ The timer must not be connected to the 230 V mains supply.



**CAUTION, ISOLATE MAINS ELECTRICITY SUPPLY BEFORE STARTING ANY WORK AND OBSERVE ALL RELEVANT SAFETY PRECAUTIONS.**

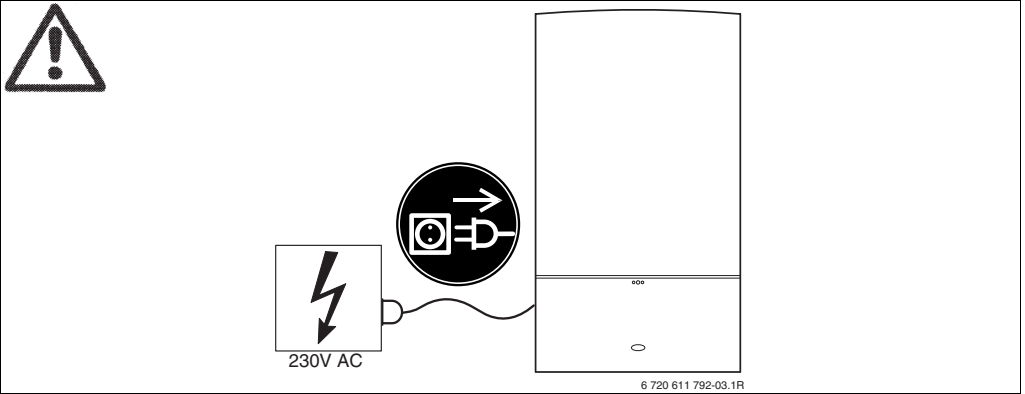
**i**

"Greenstar i,  
Greenstar Si control panel"

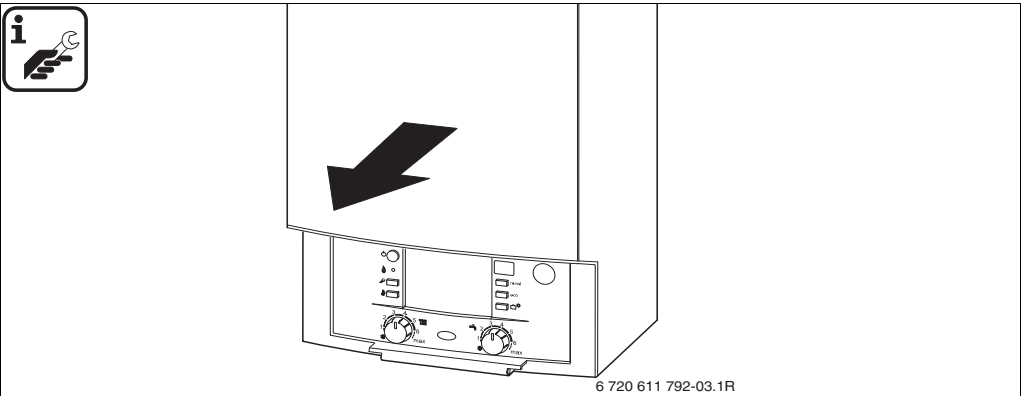


6 720 611 792-12.1R

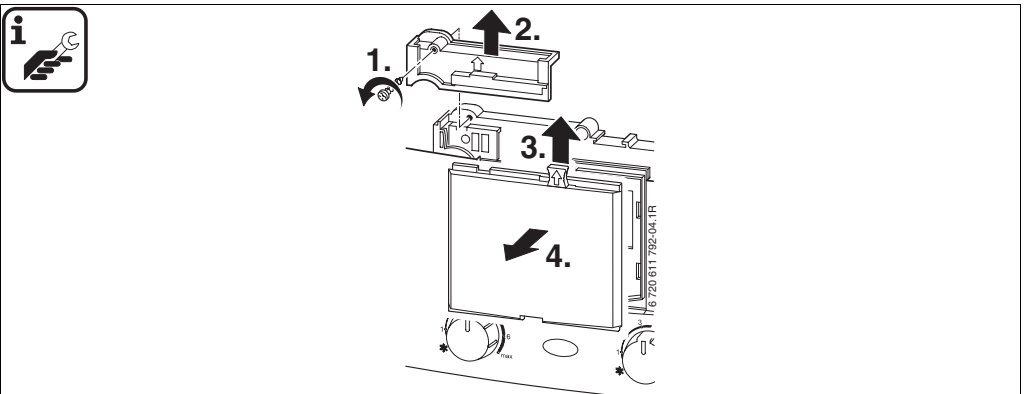
1.1



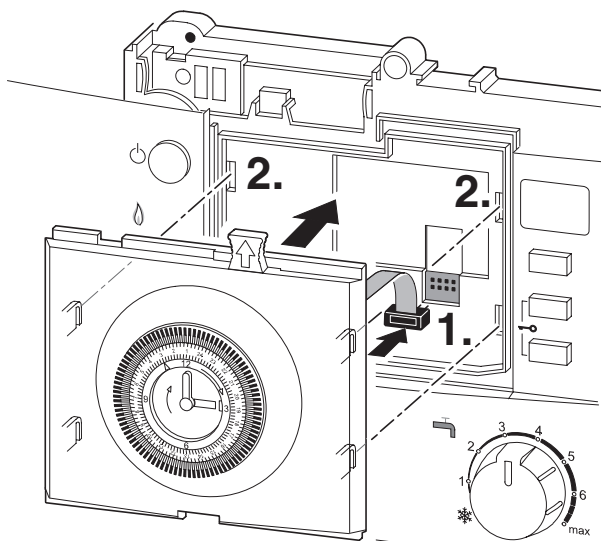
2.1



2.2

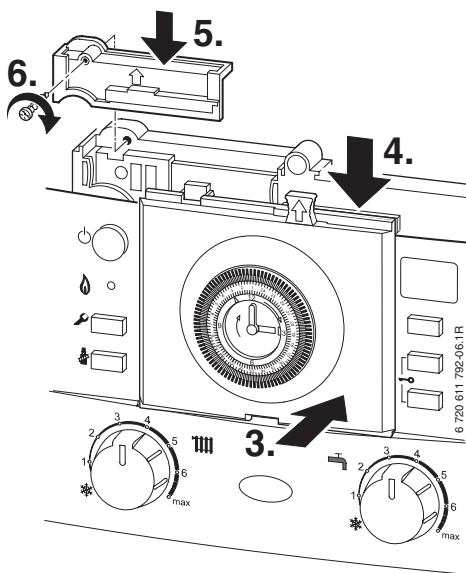


2.3



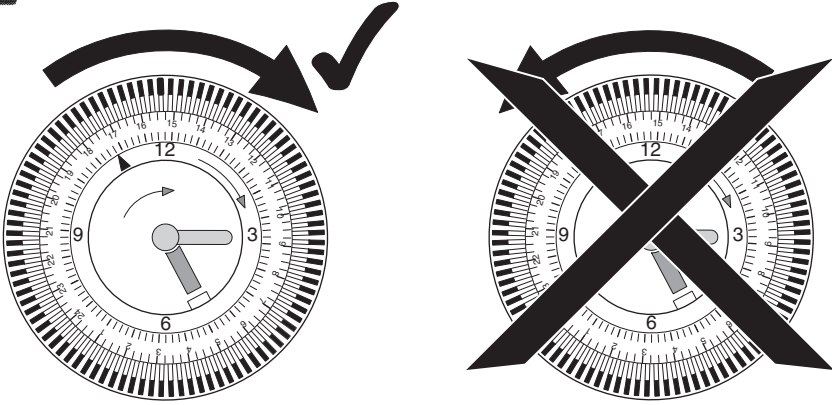
6 720 611 792-05.1R

2.4



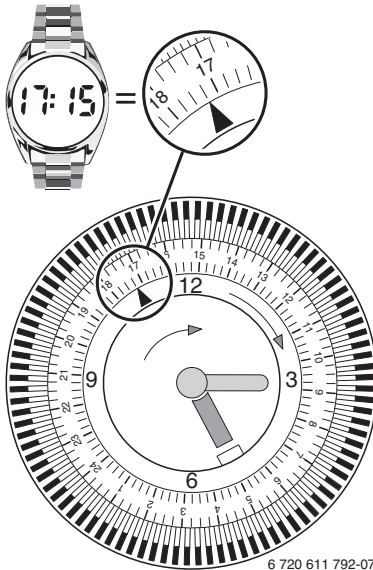
6 720 611 792-06.1R

2.5



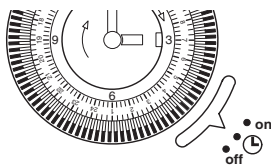
6 720 611 792-11.1R


3.1







6 720 611 792-07.1R

3.2



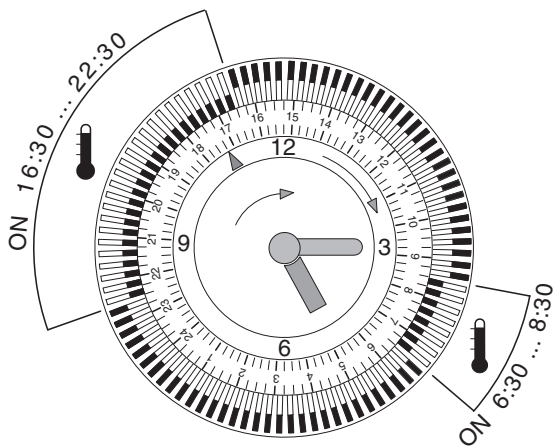
**on** = 

**L** = **AUTO**  
 =  / 

**off** = 

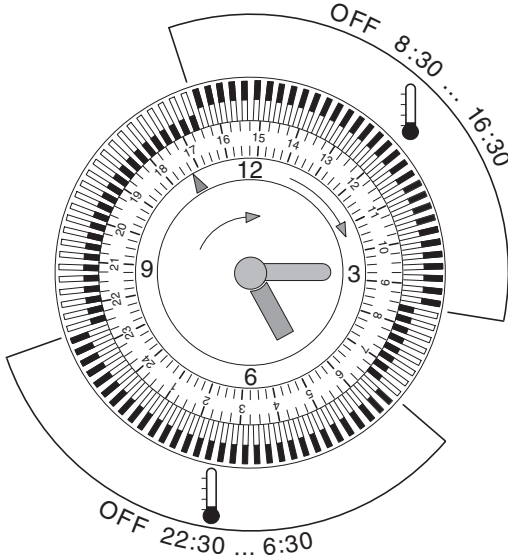
6 720 611 792-08.1R

3.3








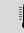
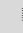




6 720 611 792-09.1R

3.4



6 720 611 792-10.1R

3.5

	on  °C	off  °C	on  °C	off  °C	on  °C	off  °C	on  °C	off  °C	on  °C	off  °C
t										



Worcester Heat Systems Ltd.  
Cotswold Way  
Warndon  
Worcester WR4 9SW  
Great Britain